

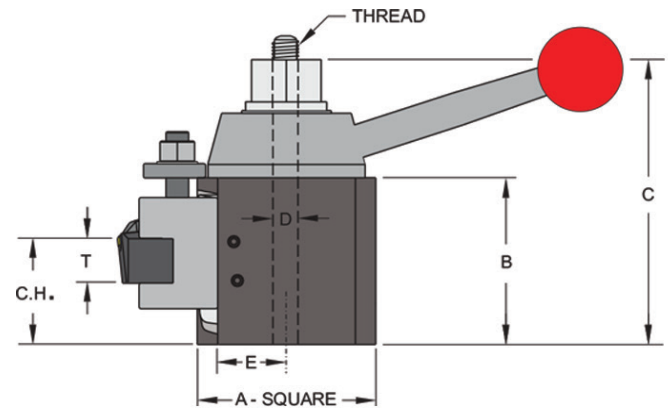
Rigidity
Repeatability
Quality



TEXAS TOUGH!
for the Oil & Gas Industry



Born In Texas



Description	SDN25AXA	SDN30BXA	SDN35CXA	SDN40CA	SDN50DA	SDN60EA
UPC #	01000-Z25A8	01002-Z25A8	01004-Z25A8	01006-Z25A8	01008-Z25A8	01010-Z25A8
Lathe Swing Over Bed	≤12	13-15	14-17	16-20	17-32	≥25
A	2.625	3.000	3.500	4.000	5.000	6.000
B	2.500	2.750	3.250	3.750	4.625	5.000
C	4.240	4.710	5.650	6.335	7.435	8.060
D	0.500	0.625	0.750	0.875	1.000	1.125
E	0.880	1.115	1.199	1.530	1.900	2.207
T-Tool Capacity	1/2-3/4	5/8-1.0	3/4-1.0	1.0-1¼	1¼-1½	1 1/2
Optimum Center Height	1.250	1.312	1.625	1.937	2.562	3.000
Minimum Center Height	0.875	1.062	1.250	1.562	2.000	2.500
Maximum Center Height	1.875	1.937	2.250	2.562	3.575	3.500
Holding Post Thread	1/2-20	5/8-18	3/4-16	7/8-14	1.0-14	1¼-12
List Price:	\$360.74	\$451.31	\$617.33	\$776.11	\$1111.44	\$1715.43
Promo Price:	\$289	\$361	\$494	\$621	\$889	\$1372

Use With SDN Tool Post	SDN25AXA	SDN30BXA	SDN35CXA	SDN40CA	SDN50DA	SDN60EA
Turning & Facing 	D25AXA-1 Tool Capacity 1/2" to 3/4" UPC# 01100-Z25A8 List Price: \$61.64 Promo: \$49	D30BXA-1 Tool Capacity 5/8" to 1" UPC# 01250-Z25A8 List Price: \$69.98 Promo: \$56	D35CXA-1 Tool Capacity 3/4" to 1" UPC# 01400-Z25A8 List Price: \$90.99 Promo: \$73	D40CA-1 Tool Capacity 1" to 1 1/4" UPC# 01550-Z25A8 List Price: \$113.00 Promo: \$90	D50DA-1 Tool Capacity 1 1/4" to 1 1/2" UPC# 01700-Z25A8 List Price: \$181.63 Promo: \$145	D60EA-1 Tool Capacity 1 1/2" UPC# 01850-Z25A8 List Price: \$281.75 Promo: \$225
Turning, Facing and Boring 	D25AXA-2 Tool Capacity 1/2" to 3/4" UPC# 01104-Z25A8 List Price: \$64.57 Promo: \$52	D30BXA-2 Tool Capacity 5/8" to 1" UPC# 01254-Z25A8 List Price: \$77.18 Promo: \$62	D35CXA-2 Tool Capacity 3/4" to 1" UPC# 01404-Z25A8 List Price: \$95.40 Promo: \$76	D40CA-2 Tool Capacity 1" to 1 1/4" UPC# 01554-Z25A8 List Price: \$120.33 Promo: \$96	D50DA-2 Tool Capacity 1 1/4" to 1 1/2" UPC# 01704-Z25A8 List Price: \$194.49 Promo: \$156	D60EA-2 Tool Capacity 1 1/2" UPC# 01854-Z25A8 List Price: \$291.82 Promo: \$233
Heavy Duty Boring 	D25AXA-4-750-DUAL Tool Capacity 3/4" UPC# 01111-Z25A8 List Price: \$142.21 Promo: \$114	D30BXA-4-1000-DUAL Tool Capacity 1" UPC# 01261-Z25A8 List Price: \$165.98 Promo: \$133	D35CXA-4-1000-DUAL Tool Capacity 1" UPC# 01411-Z25A8 List Price: \$190.78 Promo: \$153	D40CA-4-1250-DUAL Tool Capacity 1 1/4" UPC# 01559-Z25A8 List Price: \$228.93 Promo: \$183	D50DA-4-1500-DUAL Tool Capacity 1 1/2" UPC# 01709-Z25A8 List Price: \$359.73 Promo: \$288	D60EA-4-2000-DUAL Tool Capacity 2" UPC# 01859-Z25A8 List Price: \$584.69 Promo: \$468
Extra Heavy Duty Boring 	D25AXA-41-1000-DUAL Tool Capacity 1" UPC# 01113-Z25A8 List Price: \$149.15 Promo: \$119	D30BXA-41-1250-DUAL Tool Capacity 1 1/4" UPC# 01263-Z25A8 List Price: \$173.43 Promo: \$139	D35CXA-41-1250-DUAL Tool Capacity 1 1/4" UPC# 01413-Z25A8 List Price: \$208.81 Promo: \$167	D40CA-41-1500-DUAL Tool Capacity 1 1/2" UPC# 01563-Z25A8 List Price: \$234.13 Promo: \$187	D50DA-41-2000-DUAL Tool Capacity 2" UPC# 01713-Z25A8 List Price: \$392.44 Promo: \$314	D60EA-41-2500-DUAL Tool Capacity 2 1/2" UPC# 01863-Z25A8 List Price: \$556.18 Promo: \$445
Oversized Extra Heavy Duty Boring 	N/A	N/A	DQ35CXA-41S-1500-DUAL Tool Capacity 1 1/2" UPC# 00415-Z25A8 List Price: 315.65 Promo: \$253	DQ40CA-41S-2000-DUAL Tool Capacity 2" UPC# 00565-Z25A8 List Price: 386.61 Promo: \$309	DQ50DA-41S-2500-DUAL Tool Capacity 2 1/2" UPC# 00715-Z25A8 List Price: \$548.55 Promo: \$439	DQ60EA-41S-3000-DUAL Tool Capacity 3" UPC# 00865-Z25A8 List Price: \$840.98 Promo: \$673
Extra HD Cut-Off Blade Toolholder 	D25AXA-7-71C Blade Size 19-2 UPC# 01126-Z25A8 List Price: \$179.18 Promo: \$143	D30BXA-7-71C Blade Size 19-2 UPC# 01276-Z25A8 List Price: \$204.27 Promo: \$163	D35CXA-7-71C Blade Size 26-2 to 26-6 UPC# 01428-Z25A8 List Price: \$220.23 Promo: \$176	D40CA-7-71C Blade Size 26-2 to 26-6 UPC# 01576-Z25A8 List Price: \$253.15 Promo: \$203	D50DA-7-71C Blade Size 32-3 to 32-9 UPC# 01726-Z25A8 List Price: \$305.23 Promo: \$244	D60EA-7-71C Blade Size 32-3 to 32-9 UPC# 01876-Z25A8 List Price: \$345.48 Promo: \$276

Dual Boring Bar Quick Change Holder with the Double Locking System

For Precise Set-up and Maximum Rigidity

- Boring Bar Center Line Set-up
- Set Screw Locking System
- 360° Collar Locking System
- Maximum Locking force
- No Boring Bar Damage
- Quick Release
- Quick Lock

